



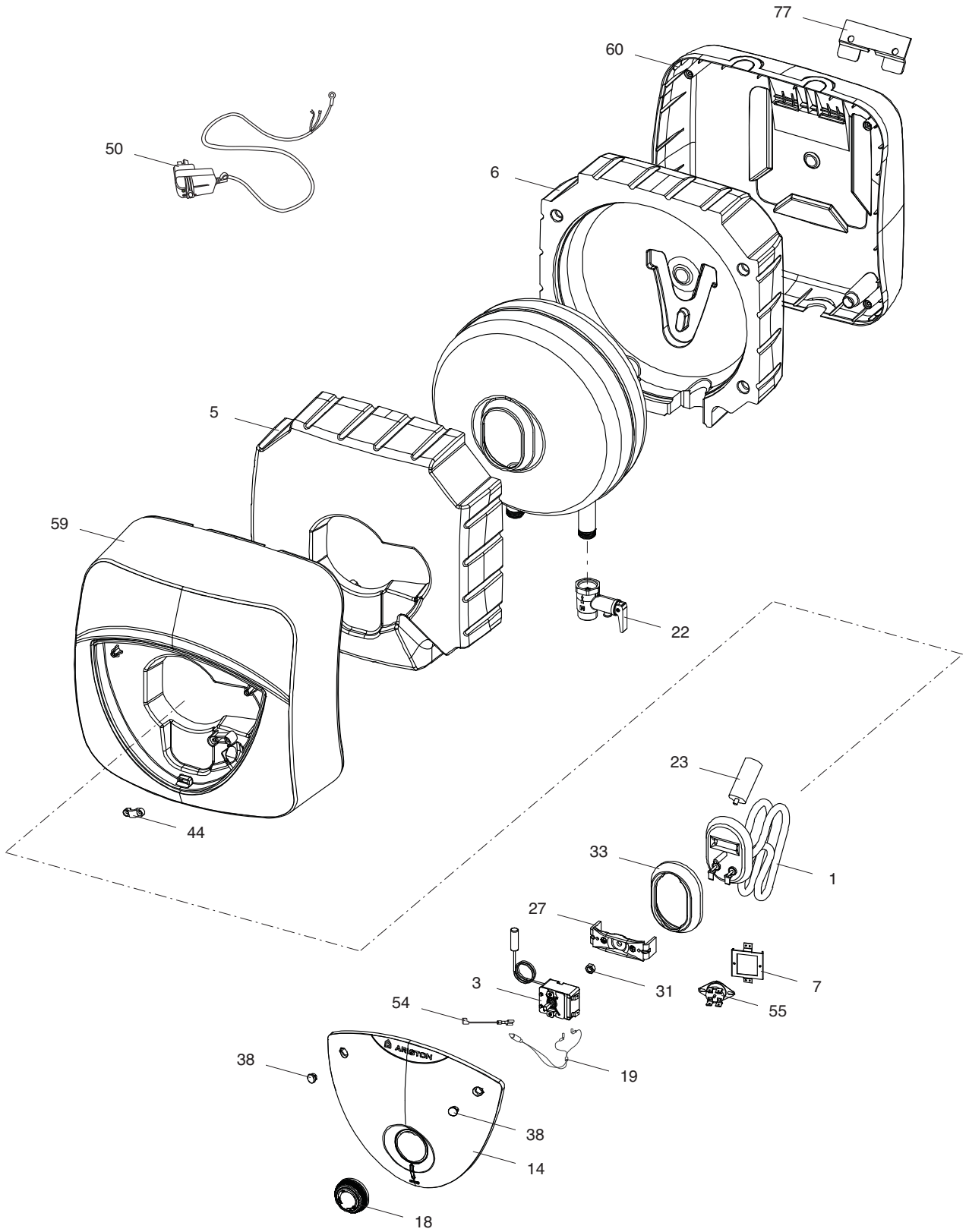
SPARE PARTS EXPLODED VIEW
STORAGE ELECTRIC WATER HEATERS

Model

ABS ANDRIS LUX 6

R8218026-01 - 07/03/2018

1	3626238	ABS ANDRIS LUX 6 OR	03-2018	-
2	3626239	ABS ANDRIS LUX 6 UR	03-2018	-
Col	Reference	Model type	Begin	End



ABS ANDRIS LUX 6 OR
ABS ANDRIS LUX 6 UR

31

☉⇒	Description	Manf. Pt. N	Type	ABS ANDRIS LUX 6 OR / ABS ANDRIS LUX 6 UR																		From	to
				1	2	3	4	5	6	7	8	9	10	11	12	13	14	15	16	17	18		
0001	НАГРЕВАТЕЛЬНЫЙ ЭЛЕМЕНТ 1500W 220-240V	65153644		●	●																		
0003	ТЕРМОСТАТ	65153381		●	●																		
0005	ТЕПЛОИЗОЛЯЦИЯ (ПЕРЕДНЯЯ)	65153647		●																			
	ТЕПЛОИЗОЛЯЦИЯ (ПЕРЕДНЯЯ)	65153655		●																			
0006	ТЕПЛОИЗОЛЯЦИЯ (ЗАДНЯЯ)	65153648		●																			
	ТЕПЛОИЗОЛЯЦИЯ (ЗАДНЯЯ)	65153656		●																			
0007	КРОНШТЕЙН ТЕРМОСТАТА	65150529		●	●																		
0014	КРЫШКА ПЛАСТИКОВАЯ	65153643		●	●																		
0018	РУЧКА РЕГУЛИРОВКИ	65153650		●	●																		
0019	ИНДИКАТОРНАЯ ЛАМПА	65153384		●	●																		
0022	ПРЕДОХРАНИТЕЛЬНЫЙ КЛАПАН (1/2" 8,5 БАР)	571730		●	●																		
0023	МАГНИЕВЫЙ АНОД D:22 L:51 M5	65153386		●	●																		
0027	СКОБА ФЛАНЦА	976196		●	●																		
0031	ГАЙКА M6	570069-CN		●	●																		
0033	ПРОКЛАДКА ФЛАНЦА	570016		●	●																		
0038	ЗАГЛУШКА	65153651		●	●																		
0044	ЗАЖИМ ДЛЯ КАБЕЛЯ	573266-CN		●	●																		
0050	КАБЕЛЬ ПИТАНИЯ С УЗО (10А 1,5м)	65153649		●	●																		
0054	ЭЛЕКТРОПРОВОДКА	65153388		●	●																		
0055	ТЕРМОСТАТ ПЕРЕГРЕВА	65150531		●	●																		
0059	ПЕРЕДНЯЯ КРЫШКА	65153645		●																			
	ПЕРЕДНЯЯ КРЫШКА	65153653		●																			
0060	ЗАДНЯЯ КРЫШКА	65153646		●																			
	ЗАДНЯЯ КРЫШКА	65153654		●																			
0077	КРОНШТЕЙН	65153652		●	●																		

LIST OF THE ABBREVIATIONS

HW	: Hot water.
CW	: Cold water.
C	: Ceramic resistance (normal heating).
Ca	: Ceramic resistance (accelerated heating)
TP	: Immersion heater.
1F	: With fittings.
2F	: Without fittings.
3F	: With fittings and another outlet connection.
AMI	: With mixing valve.
SMI	: Without mixing valve.
PUISS	: Power of th appliance.
PN	: Appliance with normal pression.
LP	: Appliance with low pression.
PV	: Appliance with variable power.
PF	: Appliance with fixed power.

IDENTIFICATION PLATE

SERIAL NUMBER

6 Characters :
 Year of manufacture 03 09 08 Manufacturing day
 Month of manufacture

9 Characters :
 Year of manufacture M 12 10 0606 Sequential number
 Month of manufacture

14 Characters :
SI-V-0B0 45 07 0001
 Sequential number
 Year of manufacture : 06 → 2004
 Month of manufacture : → 25 → January 43 → July 7 → 2005
13 → February 29 → August 8 → 2006
32 → March 40 → September etc ...
35 → April 38 → October
39 → May 51 → November
45 → June 12 → December
 Product model

15 Characters :
02 11 00001 007843
 Year of manufacture
 Month of manufacture Code appareil
 Sequential number

21 Characters :
3200050 XX 08115 0000001
 Product reference Sequential number
 Year (08) / Manufacturing day (115)

22 Characters :
3200050 XX 070115 0000001
 Product reference Sequential number
 Year (07) / Month (01) / Manufacturing day (15)