

GEAR BOX LUG TYPE BUTTERFLY VALVE

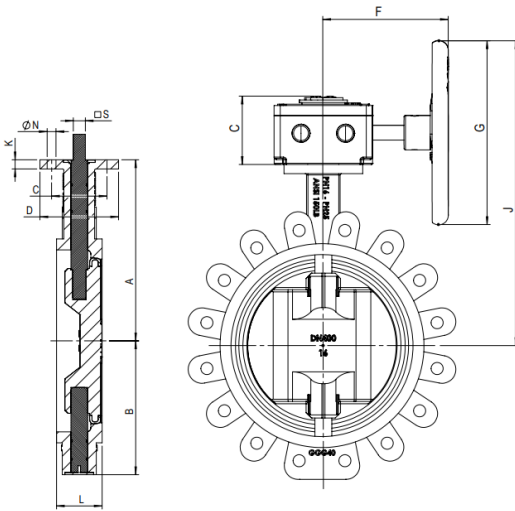
R59FLX040



Pressure Rating : PN16
 Body : Cast iron
 : Ductile iron
 Disc : Nickel plated ductile iron
 Seat : EPDM or NBR
 Gear box (DN400)

PRODUCT	SIZE
R59FLX040	DN 400

CERTIFICATIONS



MATERIALS

Body : Ductile iron (GGG40.3)
 Disc : Nickel plated ductile iron
 Seat : EPDM / NBR
 Stem : 420 Stainless steel
 O-Ring : EPDM
 Bolt: Carbon steel
 Nut: Carbon steel

GENERAL PROPERTIES

Standart No : TS EN 593 + A1
 Maximum Working Pressure (Continuous) : 16 Bar
 Maximum Working Temp. : EPDM for 120 °C (Water)
 : NBR for 90 °C
 (Water and petroleum oil)
 Max. Diff. Pressure (Allowed) : DN400 3 Bar

DN	A	B	L	N-O	C	D	E	F	G	T	S	J	Kv
400	409	302	106	4-19	140	180	109	281	375	25	27	645	14007

